

Where tradition meets leisure, combining Mediterranean passion with global expertise.

┌ 41°00'31"N  
└ 16°30'46"E ┘

# CAPRI

COLLECTION

# Made Studio

DESIGNERS



Made Studio

## ABOUT

**Made Studio combines industrial design and architecture, with professional profiles that unite their skills to offer results with panoramic vision.**

**With a professional career spanning more than 10 years, they have won numerous international awards, such as the Red Dot Design Award and the Delta Awards, and actively participate in exhibitions and publications around the world.**





Capri Sofa 1 St Detail



Capri Sofa 1 St



Capri Sofa 2 St



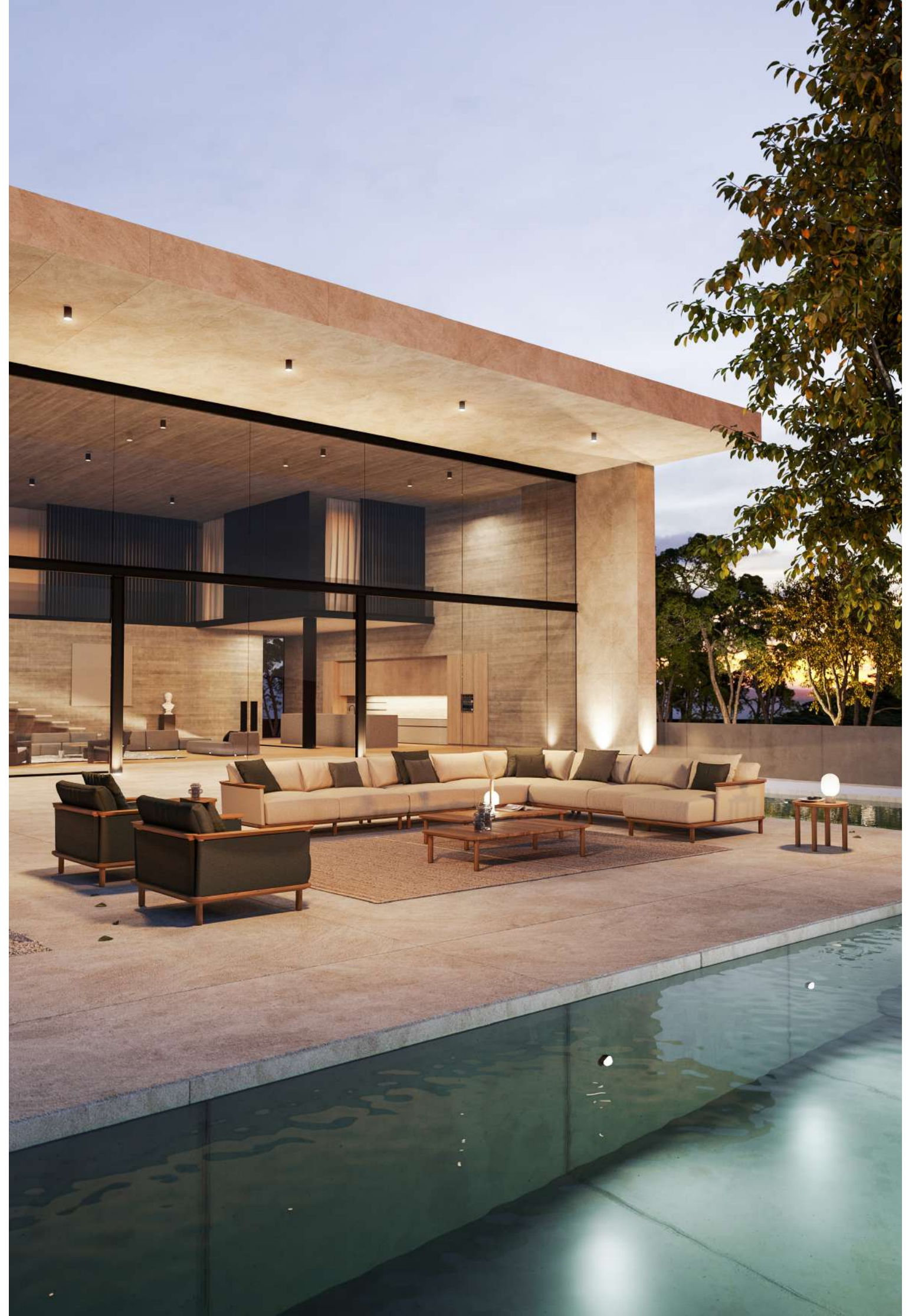
Capri Sofa 3 St



Capri Modular Sofa Double Left-Arm



Capri Modular Sofa Double Right-Arm





Capri Modular Sofa Double Middle



Capri Modular Sofa Chaise Right-Arm



Capri Modular Sofa Chaise Left-Arm



Capri Modular Sofa Chaise Middle



Capri Ottoman



Capri Modular Sofa Single Middle



Capri Modular Sofa Corner



Capri Coffee Table



Capri Club Armchair



Capri Side Table



Capri Console Table



Capri Sunchaise







Capri Sofa Chaise





Capri Dining Armchair Stackable



Capri Dining Table 300

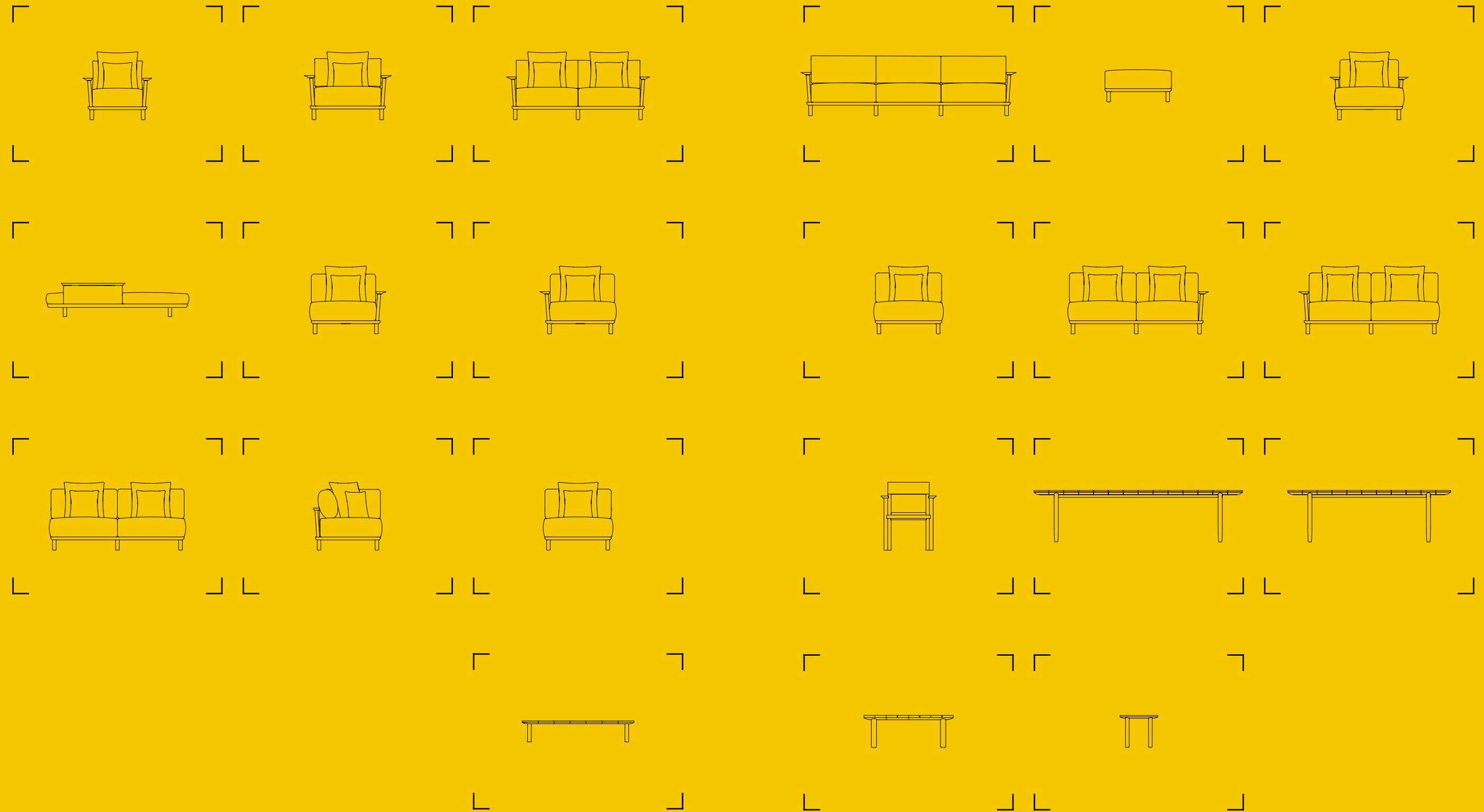


Capri Dining Table 240

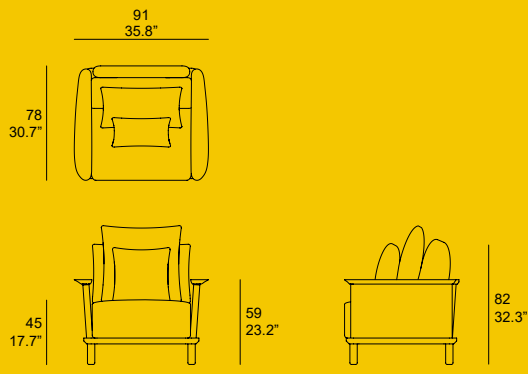


# Technical

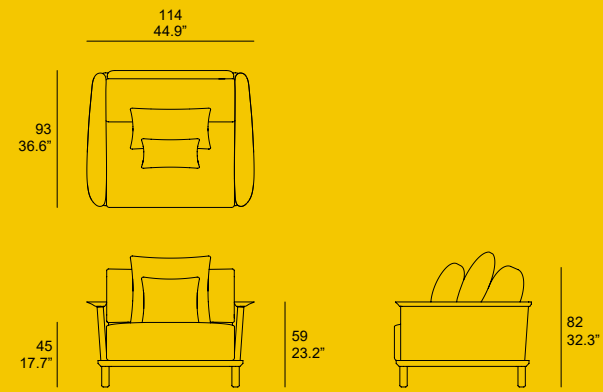
# Guide



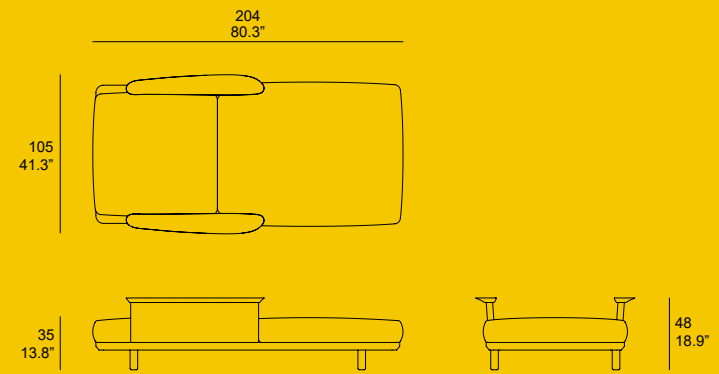
[OTACAP01] **CAPRI CLUB ARMCHAIR**



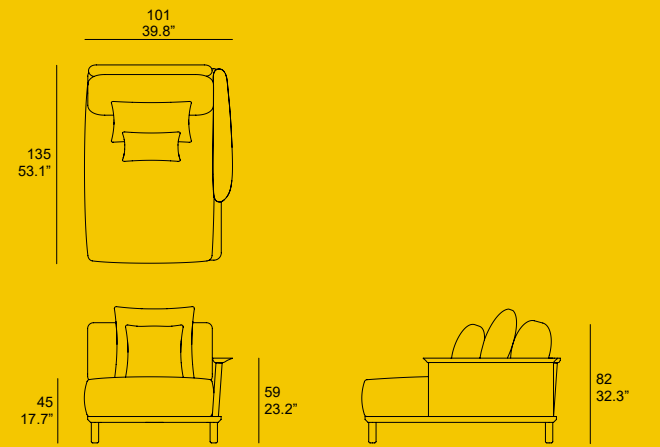
[OTACAP02] **CAPRI SOFA 1ST**



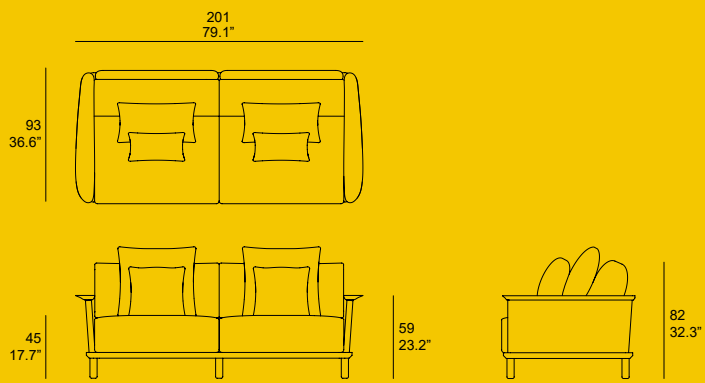
[OTACAP07] **CAPRI SUNCHAISE**



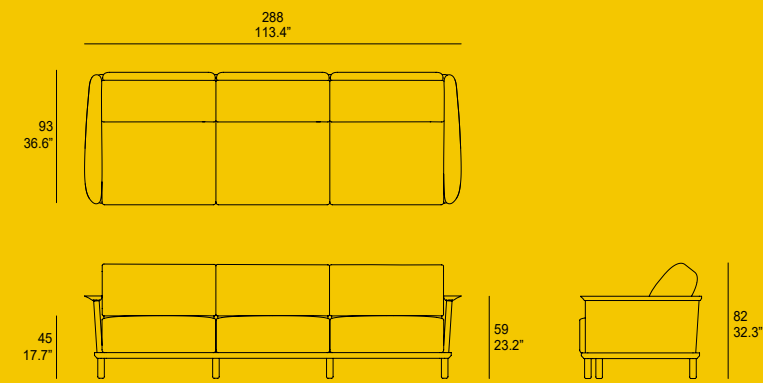
[OTACAP08L] **CAPRI MODULAR SOFA CHAISE LEFT-ARM**



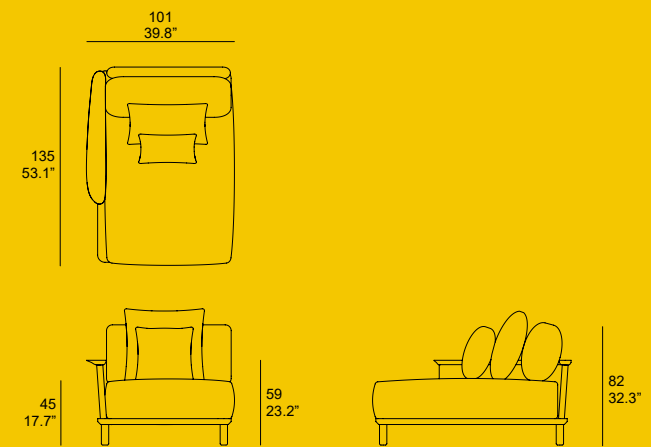
[OTACAP03] **CAPRI SOFA 2ST**



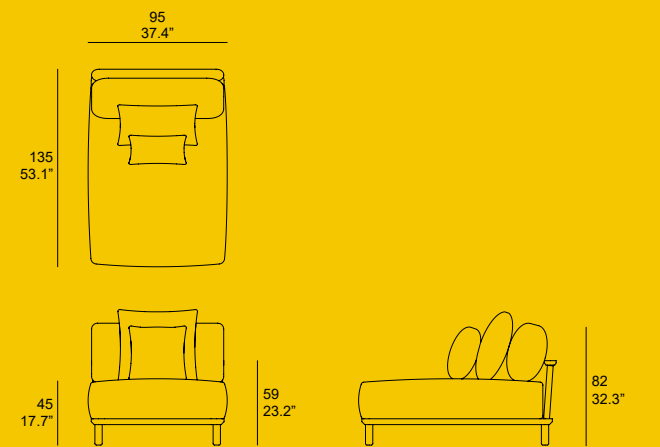
[OTACAP04] **CAPRI SOFA 3ST**



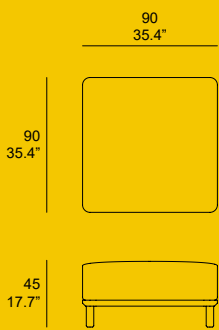
[OTACAP08R] **CAPRI MODULAR SOFA CHAISE RIGHT-ARM**



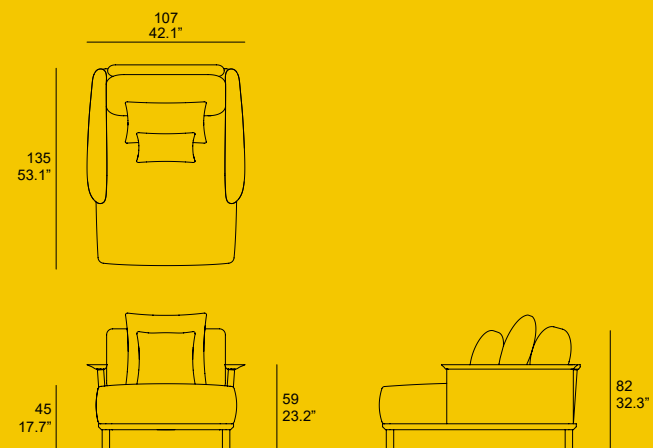
[OTACAP08M] **CAPRI MODULAR SOFA CHAISE MIDDLE**



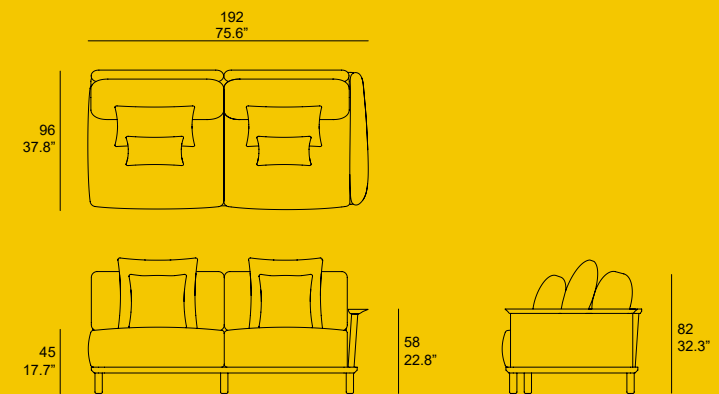
[OTACAP05] **CAPRI OTTOMAN**



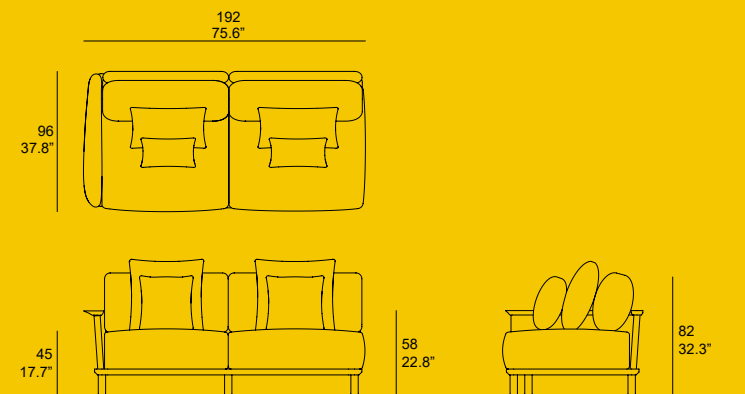
[OTACAP06] **CAPRI SOFA CHAISE**



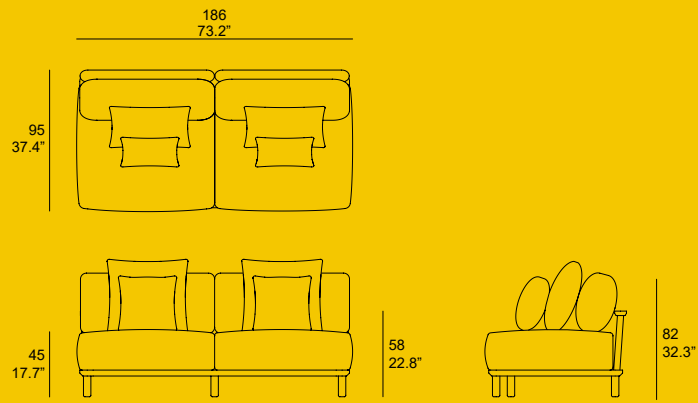
[OTACAP10L] **CAPRI MODULAR SOFA DOUBLE LEFT-ARM**



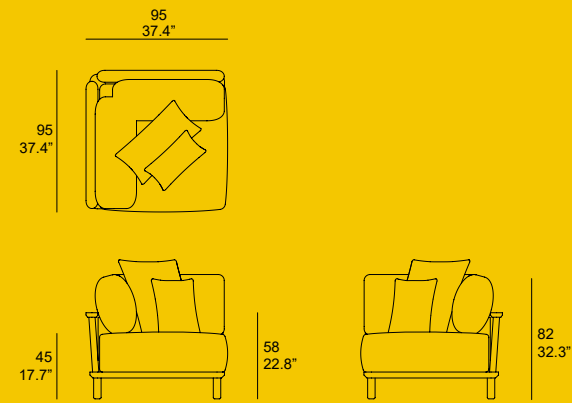
[OTACAP10R] **CAPRI MODULAR SOFA DOUBLE RIGHT-ARM**



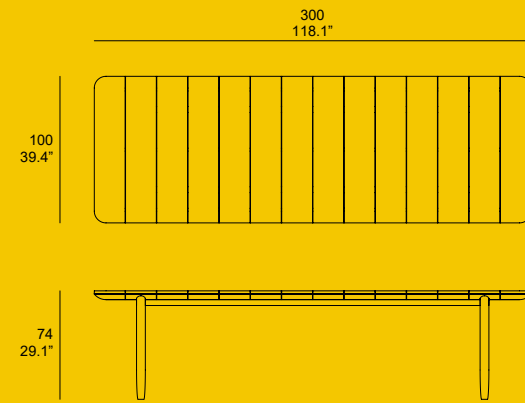
[OTACAP10M] CAPRI MODULAR SOFA DOUBLE MIDDLE



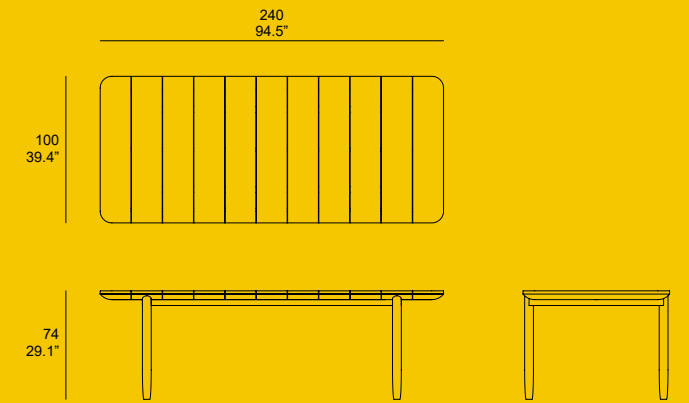
[OTACAP11C] CAPRI MODULAR SOFA CORNER



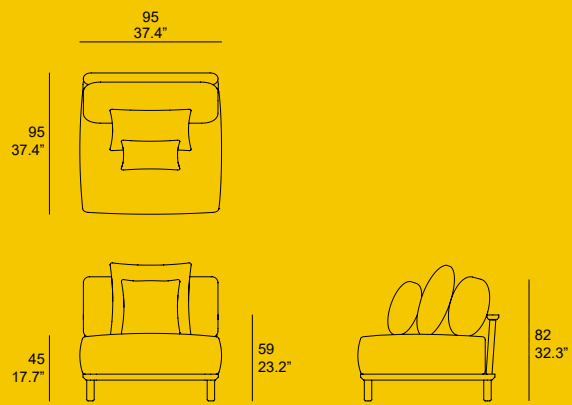
[OTACAP13A] CAPRI DINING TABLE 300



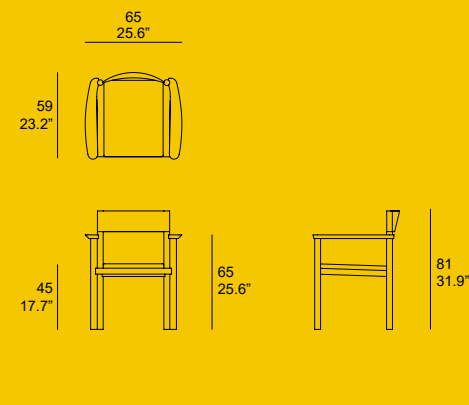
[OTACAP13B] CAPRI DINING TABLE 240



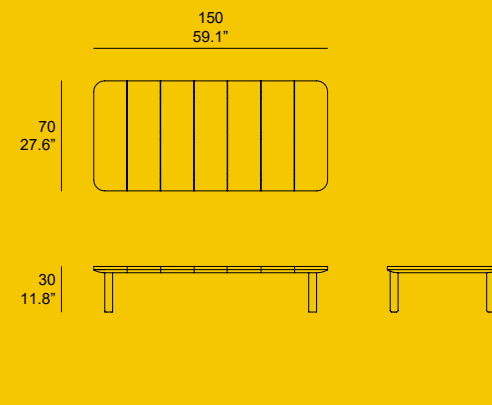
[OTACAP11M] CAPRI MODULAR SOFA SINGLE MIDDLE



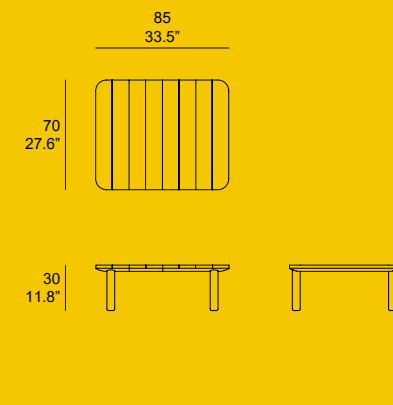
[OTACAP12S] CAPRI DINING ARMCHAIR STACKABLE



[OTACAP14] CAPRI COFFEE TABLE



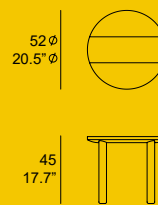
[OTACAP15] CAPRI SIDE TABLE



## SOFA AND CHAIR REMARKS

- Structure:** Solid teak wood FSC100%.
- Seat:** Base in Aluminium Powdercoated and Textiline Fabric.
- Body:** Aluminum powder coated upholstered in Fabric.
- Fittings:** Stainless steel 304.
- Cushions:** High density foam, antibacterial & fire retardant, California standard USA, synthetic dacron sheet, protection nylon cover SPC, zipper head and restyling nylon yarn (quick dry foam as optional).
- Slides:** PA rubber.
- Packaging:** Carton box double wall K275, plastic free.

[OTACAP16] CAPRI CONSOLE TABLE



## TABLE REMARKS

- Table top & base:** Solid teak wood FSC100%.
- Substructure:** Aluminium powder coating.
- Fittings:** Stainless steel 304.
- Glides:** PA rubber - Dining tables: adjusters.
- Packaging:** Carton box double wall K275, plastic free.