

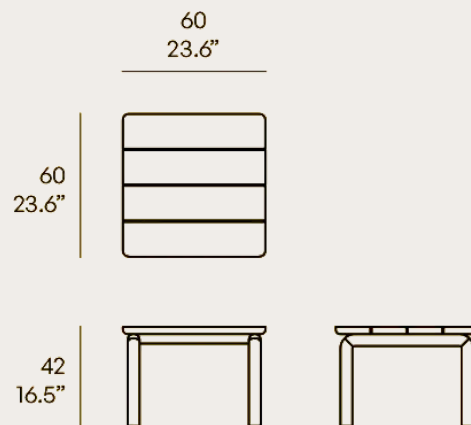
ARC ALUM COLLECTION by Mario Ruiz

With aluminum wood frames, mixed with an enveloping rope that both covers the base of the seat and wraps the perimeter of all the pieces at the backrest and arms, this collection owes its name, ARC, to the most characteristic gesture of its design, the arc traced by the roping on the sides of each piece. This enveloping gesture embraces the body in each of its pieces, all very comfortable, from its continuous and fluid frame that joins arms, legs and backrest; with its industrial craftsmanship approach to the use of materials and a design that conveys serene elegance and status that symbolizes a celebration of life.



Remarks

- Structure aluminum Powdercoated Textured.
- Fittings Stainless steel 304.
- Glides PA rubber.
- Packaging Carton box double wall K275, plastic free.



OTAARC27-AL

Finishing



Finishing

Beige Junction

Teak Wood



Natural
Teak



Weathered
Teak



Protected
Teak

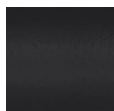


Black Teak

Aluminium Frame



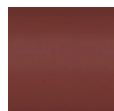
Beige
Junction



Grey Sand
Texture



Calpulative
Olive



Red Sand
Texture

Raincover



Raincover

With Raincover



With
Raincover



Without
Raincover

